

MSD INC.

ENGINEERING DATA SHEET

RELAY TYPE: FCB-205-0208M | COMPUTER PART No 9347563

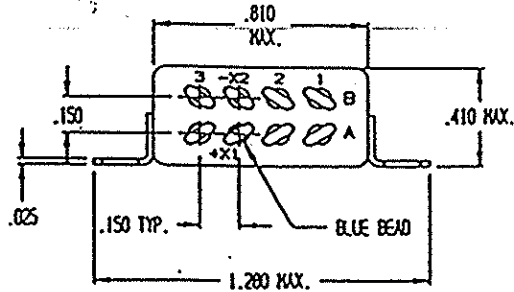
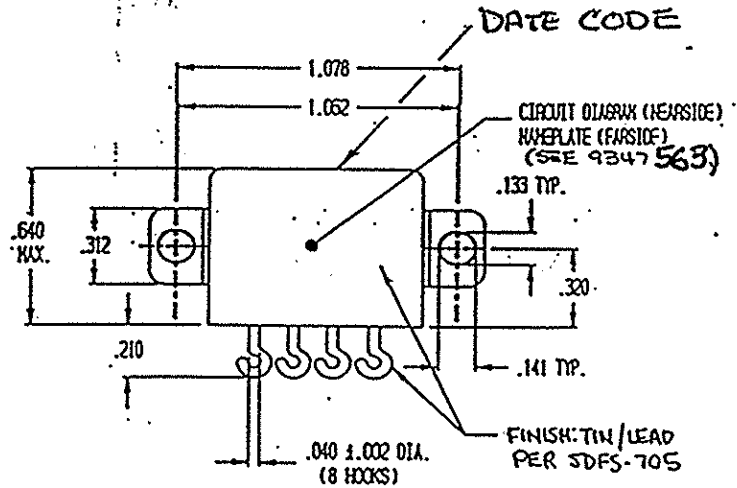
TEST PROCEDURE

CUSTOMER SPECIFICATION: M83536/2-008M | REV: N/A

MSDP-790

TEST REQUIREMENTS

COIL RES: $\pm 10\%$ 20 OHMS OPERATE TIME: 5ms MAX RELEASE TIME: 5ms MAX
 CONTACT MAKE BOUNCE: 1ms MAX NO. BREAK BOUNCE: 0.1ms MAX
 CONTACT STABILIZATION TIME: 2.5ms MAX. RATED COIL VOLTAGE: 6 Vdc
 CONTACT RES.: MFG TEST: .040 OHMS @ 10mA-6Vdc FINAL TEST: .050 OHMS @ 10mA-6Vdc
 CONTACT VOLTAGE DROP: FINAL TEST: .100 V MAX @ 5A-6Vdc
 HI-POT: 1000 Vrms ALL POINTS
 INSULATION RESISTANCE: 100 MEGOHMS MIN. @ 500 Vdc
 VIBRATION: MIL-STD-202, METHOD 204 (30 G'S / 100 - 3000 HZ)
 SEAL TEST: 1×10^{-8} MAX LEAK RATE COIL TRANSIENT SUPPRESSION: 42 Vdc MAX
 OTHER:



| | | | |
|-------------------|---------|--------------------------|--|
| Prepared By: Date | | Approved By: Date | |
| LFS WYNNE 3-20-96 | | <i>L. Looney</i> 3-21-96 | |
| Rev | ECN No. | Date | |
| C | 97-248 | 12-29-97 | |

SPECIAL INSTRUCTIONS